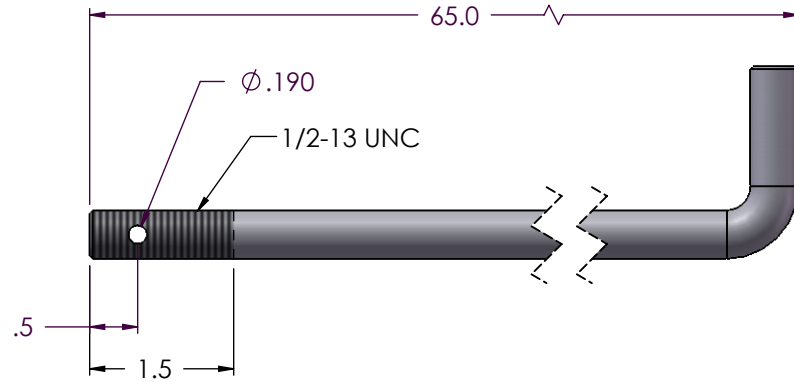
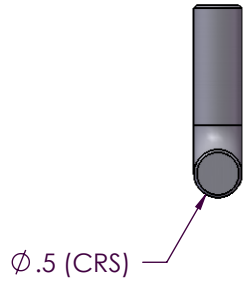
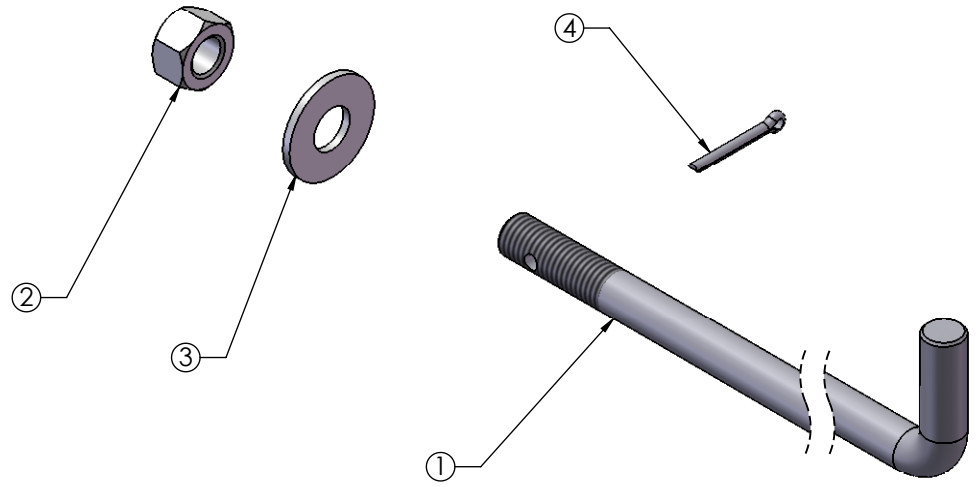


ITEM NO.	PART NUMBER	DESCRIPTION	QTY
1	10196	ROD, HINGE, LID, 65"	1
2	F1006	H NUT, 1/2-13	1
3	F1015	FW, REGULAR, 1/2	1
4	10195	PIN, COTTER, .125 X 1	1



NOTE: DEBURR & BREAK ALL SHARP EDGES.

UNLESS OTHERWISE SPECIFIED:	NAME	DATE
DIMENSIONS ARE IN INCHES	DRAWN	MF 11-24-09
TOLERANCES:	CHECKED	
FRACTIONAL: ±1/16	ENG APPR.	
ANGULAR: ±1°	MFG APPR.	
ONE PLACE DECIMAL ±.05	Q.A.	
TWO PLACE DECIMAL ±.03	PROPRIETARY AND CONFIDENTIAL THE INFORMATION CONTAINED IN THIS DRAWING IS THE SOLE PROPERTY OF PRT. ANY REPRODUCTION IN PART OR AS A WHOLE WITHOUT THE WRITTEN PERMISSION OF PRT IS PROHIBITED.	
THREE PLACE DECIMAL ±.010		
FOUR PLACE DECIMAL ±.001		
INTERPRET GEOMETRIC TOLERANCING PER:		
MATERIAL		
FINISH		
NA		
DO NOT SCALE DRAWING		



"Commitment To Value"

TITLE:
**ROD, HINGE, LID, 65",
 ASSY**

SIZE A	DWG. NO. 10197	REV
SCALE: 1:16		WEIGHT: 3.71
		SHEET 1 OF 1